



PROMARK

MK9-USB PRINTER

- Compact, portable printer for cable, wire and component marking on site.
- Feeds, prints and cuts bulk Partex profiles and self adhesive labels.
- Store and import markerfiles with a USB - PC connection, or by USB-memory.
- Chose between English, German or French language in the printer display.
- A cost effective identification system for use in panel building and electrical installations.



GENERAL INFORMATION

Design

The third generation ProMark printer - MK9-USB - is a flexible thermal transfer printer. MK9-USB is ideal for fast, on site, complementary work. The marking machine is equipped with USB 2.0 connection to PC for fast transfer of marking files. It is also possible to save/load marker files on a USB-memory.

MK9-USB has several libraries with symbols that can be imported onto the marker. The MK9 is equipped with an International keyboard; therefore you have to import unique European letters from a library of European letters.

Features

High production speed
 Backlit display
 Extended memory
 USB-2.0 connection
 Partex software WinSign 5.5 is included

FACTS

Thermal transfer printing:

300 dpi print resolution

Printing speed:

35.0 mm/s in standard mode
 20.0 mm/s in low temperature mode

Text heights:

2, 3, 4 or 6mm

Maximum rows that can be printed:

1-2 row in Tube mode and 1-3 rows in Tape mode

PC connection:

USB 2.0 connection and Partex software WinSign
 USB memory and Partex software WinSign

Power:

AC adapter 100 ~ 240V (50-60Hz).
 Power consumption: 20 W
 CE-certified.

Measurement

(LxWxH) 290x300x95

Weight

2kg

Temperature range:

Operating temperature: +10°C to 35 °C
 Storage temperature: 0°C to +40°C
 To obtain the best printing result, the temperature of the profile shouldn't be lower then +25°C

THE PROMMARK MK9 SYSTEM CONCEPT



MK9-USB



Easy loading of ribbon into ribbon holder. 50 meter black ribbon and 30 meter white ribbon.



Cutting- and printing unit.



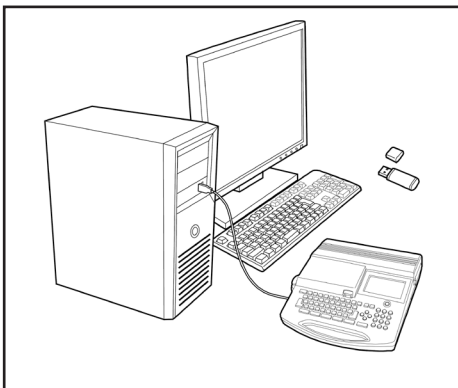
MK9-USB is delivered in a case with room for manuales, AC adapters and other accessories.



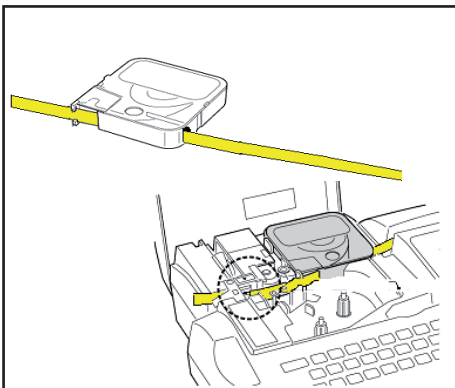
MK9-USB prints profiles on DN-reels



Printing on PO-profile



Transfer data files with marking information between the PC and the printer by using the USB 2.0 PC/printer connection or a USB-memory.



Profile guide cassette for profiles such as PP-046

APPLICATIONS



PP-profile on compactdisc



Tape cassette



PP-profile inside PTC sleeve



PO-profile



PP-profil inside PT+ sleeves



PO-068Q-profile for cable marking



Compactdisc with PO-profile



PO-068TW for cable marking on POH



PO-profile on DN-reel



PP-profile mounted on terminal block

PRODUCT AND ORDERING INFORMATION

Article number	Information	Pack unit (MOQ)
Printer and accessories		
MK9-USB-KIT1	MK9-USB + PO-kit	1 pce
MK9-PO-KIT1	PO-05000DN4, PO-068TWSN4, PPA09000SN9 and MK-RS2	BOX
MK9-CU-YW	Cutting unit (yellow) for MK9-USB	2 pcs
USB-CABLE	USB-cable	1 pce
MK9-RB	Black ribbon 50m	5 pcs (250m)
MK9-RW	White ribbon 30m	5 pcs (250m)
MK9-RC	Ribbon cassette holder	1 pcs
MK9-CAS46	Profile guide cassette for PP-046	1 pce
MK9-CAS63	Profile guide cassette for PP-063	1 pce
MK9-CAS90	Profile guide cassette for PP-090 och PPA-090	1 pce
MK-RS	Reel stand	1 pcs
MK-RS2	DN-Reel stand	1 pcs
Tape cassettes		
MK9-PL050CN4	Tape cassette 5mm x 8m, yellow	1 pce
MK9-PL050CN9	Tape cassette 5mm x 8m, White	1 pce
MK9-PL050CNT	Tape cassette 5mm x 8m, transparent	1 pce
MK9-PL090CN4	Tape cassette 9mm x 8m, yellow	1 pce
MK9-PL090CN9	Tape cassette 9mm x 8m, white	1 pce
MK9-PL090CNT	Tape cassette 9mm x 8m, transparent	1 pce
MK9-PL120CN4	Tape cassette 12mm x 8m, yellow	1 pce
MK9-PL120CN9	Tape cassette 12mm x 8m, white	1 pce
PO-Profile on Compactdisc		
PO-02000SN*	PO-profile 0,5mm ² . Diam 1,7-2,2mm	5,0m / Compactdisc
PO-02000DN*	PO-profile 0,5mm ² . Diam 1,7-2,2mm	60,0m / DN-reel
PO-03000SN*	PO-profile 0,75mm ² Diam 2,0-2,5mm	4,5m / Compactdisc
PO-03000DN*	PO-profile 0,75mm ² Diam 2,0-2,5mm	50,0m / DN-reel
PO-04000SN*	PO-profile 1,0mm ² Diam 2,2-2,8mm	4,5m / Compactdisc
PO-04000DN*	PO-profile 1,0mm ² Diam 2,2-2,8mm	50,0m / DN-reel
PO-05000SN*	PO-profile 1,5mm ² Diam 2,7-3,5mm	4,0m / Compactdisc
PO-05000DN*	PO-profile 1,5mm ² Diam 2,7-3,5mm	40,0m / DN-reel
PO-06000SN*	PO-profile 2,5mm ² Diam 3,2-4,0mm	3,5m / Compactdisc
PO-06000DN*	PO-profile 2,5mm ² Diam 3,2-4,0mm	40,0 / DN-reel
PO-068TWSN*	PO-068TW profile with thin wall Diam 6,8-7,0 mm	50,0m / Reel
PO-068TWDN*	PO-068TW profile with thin wall Diam 6,8-7,0 mm	25,0m / DN-reel
PO-068TWSN*	PO-068TW profile with thin wall Diam 6,8-7,0 mm	4,5m / Compactdisc
PO-068Q10BN*	PO-068Q profile punched, 10mm between the punched holes	50,0m / Reel
PO-068Q10DN*	PO-068Q profile punched, 10mm between the punched holes	25,0m / DN-reel
PO-06Q10SN*	PO-profile punched, 10mm between the punched holes	3,5m / Compactdisc
PO-06Q10DN*	PO-profile punched, 10mm between the punched holes	40,0m / DN-reel
PO-07000SN*	PO-profile 4,0mm ² Diam 3,8-4,7mm	3,5m / Compactdisc
PO-07000DN*	PO-profile 4,0mm ² Diam 3,8-4,7mm	30,0m / DN-reel
POZ02000SN*	POZ-profile Zerex 0,5mm ² . Diam. 1,7-2,2mm	5,0m / Compactdisc
POZ03000SN*	POZ-profile Zerex 0,75mm ² Diam 2,0-2,5mm	4,5m / Compactdisc
POZ04000SN*	POZ-profile Zerex 1,0mm ² Diam 2,2-2,8mm	4,5m / Compactdisc
POZ05000SN*	POZ-profile Zerex 1,5mm ² Diam 2,7-3,5mm	4,0m / Compactdisc
POZ06000SN*	POZ-profile Zerex 2,5mm ² Diam 3,2-4,0mm	3,5m / Compactdisc
POZ07000SN*	POZ-profile Zerex 4,0mm ² Diam 3,8-4,7mm	3,5m / Compactdisc
PRZ07100SN*	PRZ profile Zerex, can be mounted on PKH/POH holders	9,0m / Cardboard disc

* = 4 Yellow profile, 9 White profile, other colours on request

Notes: Sleeves and Carrier strips Zerex = Halogen free

Following Partex products are possible to combine with the ProMark consumables:

1. PM-10/20/24 transparent sleeves with ProMark PP-046/090 insert tags and MK9-PL090/120 self adhesive labels.

2. PT+02/10/20/30 transparent sleeves combined with PP-046 insert tag profile.

3. PTC10/20/30/50 transparent sleeves are combined with PP-046 insert tag profile

4. PKH and POH carrier strips are combined with PO-068TW / PRZ071 cable marking profiles.

For detailed information, see separate data sheet.

PRODUCT AND ORDERING INFORMATION

Marker tag profile		
PP-04600SN*	PP-marker tag profile H=4.6mm, for PT+, PTC and PM-10	15,0m / Compactadisc
PP-09000SN*	PP-marker tag profile H=9.0mm, for PM-20	18,0m / Compactadisc
PP-09000DN*	PP-marker tag profile H=9.0mm, for PM-20	25,0m / DN-reel
Cabinet and Component markers		
PPA09000SN*	PP-profile with adhesive for component markers etc.	10,0m / Compactadisc
PPA09000DN*	PP-profile with adhesive for component markers etc.	25,0m / DN-reel
PP-06300SN9	PP-profile H=6.3 mm, for Phoenix terminal blocks (UT2.5, UTTB2.5, ST4, DT2.5, QTC, DTI2.5)	15,0m / Compactadisc
PP-10000SN9	PP-profile H=10.2 mm, for Entrelecs terminal blocks	15,0m / Compactadisc
PP-11000SN9	PP-profile H=11.0 mm, for Wagos TopJobs terminal blocks	12,0m / Compactadisc
Heat shrink tubing		
PHZ20032MN*	Heat Shrink , Diam 3.2mm, shrink ration 2:1, Zerex	15,0m / Minibox
PHZ20048MN*	Heat Shrink , Diam 4.8mm, shrink ration 2:1, Zerex	12,0m / Minibox
PHZ20064MN*	Heat Shrink , Diam 6.4mm, shrink ration 2:1, Zerex	12,0m / Minibox

* = 4 Yellow profile, 9 White profile, other colours on request

Notes: Sleeves and Carrier strips Zerex = Halogen free

Following Partex products are possible to combine with the ProMark consumables:

1. PM-10/20/24 transparent sleeves with ProMark PP-046/090 insert tags and MK9-PL090/120 self adhesive labels.
2. PT+02/10/20/30 transparent sleeves combined with PP-046 insert tag profile.
3. PTC10/20/30/50 transparent sleeves are combined with PP-046 insert tag profile
4. PKH and POH carrier strips are combined with PO-068TW / PRZ071 cable marking profiles.

For detailed information, see separate data sheet.